

AUXILIARY CONTACTORS **KO**

- * Fast and simple fixation on standard 35 mm according to EN 60 715
- * Uniform marking and arrangement of connection terminals according to EN 50 011
- * High mechanical endurance
- * High contact reliability

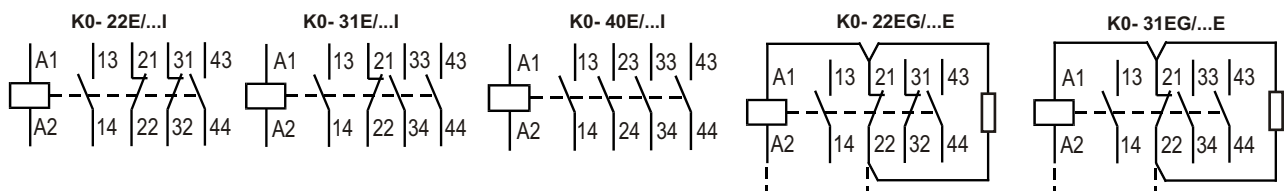


Technical data

Versions				KO-40E KO-31E, KO-31EG KO-22E, KO-22EG	KO-80E KO-71E, KO-71EG KO-62E, KO-62EG KO-53E, KO-53EG KO-44E, KO-44EG							
Complies to standard				VDE 0660								
Temperature range of application		open	C	-25 ... +55								
		enclosed		-25 ... +40								
Rated insulation voltage		U_i	V	500								
Nazivni termični tok		I_{th}	A									
AC11	Rated operating currents	220 V	I_e	A	6							
		380 V			6							
		500 V			4							
DC11	Rated operating currents	24 V	T	ms	15	50	200					
		60 V			14	4	3					
		110 V			4	1	0,4					
		220 V			1,5	03	0,15					
					0,3	0,1	0,05					
Connection leads		solid	S	mm ²	1 ... 2,5							
		multi-stranded			0,75 ... 2,5							
Short-circuit protection – Max. fuse current in operation class aM according to IEC 269		I_u	A	20								
Magnetic system	Range of control voltages		U_c	V-	6 ... 500							
			U_c	V=	6 ... 220							
	Operating range		U_c	%	80 ... 110							
	Coil consumption	AC	switch-on operation	P_c	VA	35						
		DC	switch-on operation	P_c	W	7						
					38							
					6							
Type and No. of free contacts ¹⁾	designation No.				40	31	22	80	71	62	53	44
	break contact				0	1	2	0	1	2	3	4
	make contact				4	3	2	8	7	6	5	4

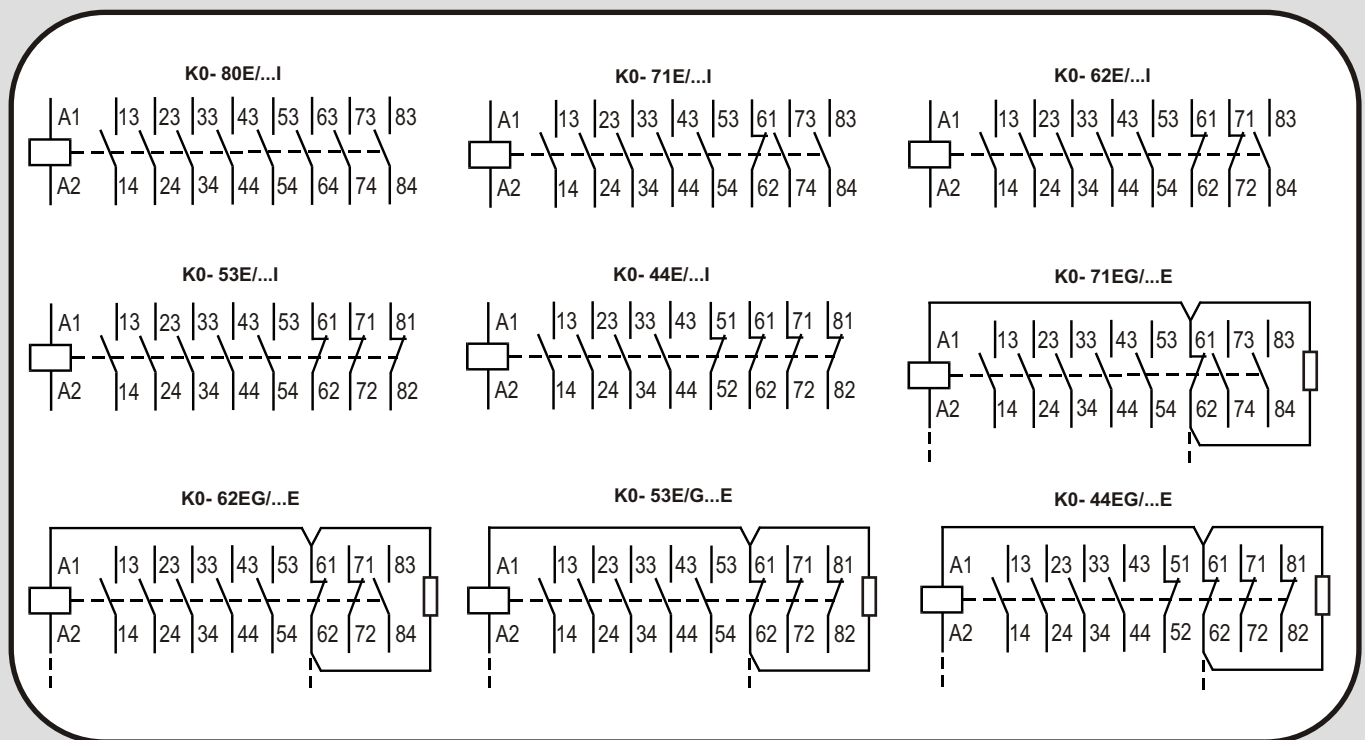
¹⁾ The number of free break contacts is one less from the number given in the table, for versions with DC control voltage.

Arrangement and designation of contacts

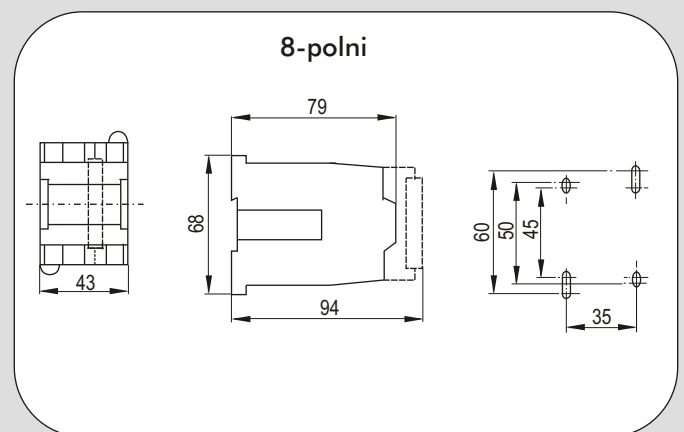
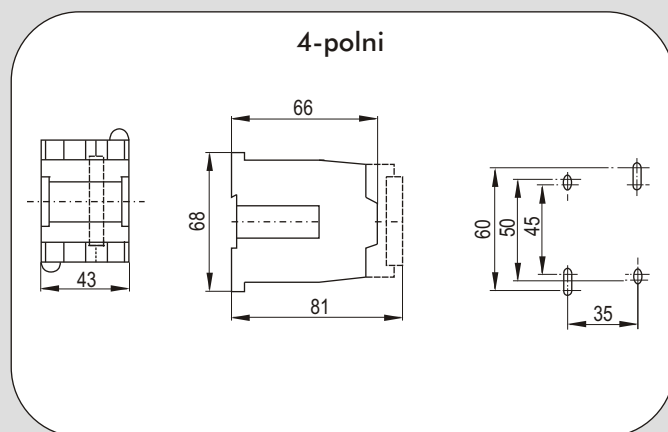


AUXILIARY CONTACTORS **K0**

Arrangement and designation of contacts



Dimensions:



Iskra

Iskra MIS, d.d.
Ljubljanska c. 24a
4000 Kranj, Slovenia

Phone: +386 4 237 21 40

Fax: +386 4 237 21 29

E-mail: info@iskra-mis.si

Internet: www.iskra-mis.si